

Transmission module MKi

MKi is the programmable transmission module, allowing data collecting from electronic electricity meters using local area network and www (internet). The MKi module optionally might be equipped with CLO or RS485 interface. On the base of these interfaces following meter types can be connected to the module: LAP, EAP, FAP, EQABP, LZQM, LZQJ. The MKi transmission module performs automatic data reading. All data measured by the meter are stored in memory, which does not require to be supplied from external voltage. As an output for data transmission the module utilizes LAN interface (connector type RJ45). The data from the MKi optionally are to be read using Internet Explorer and SOLEN data reading system.

Transmission module MKi utilizes TCP/IP (Transmission Control Protocol / Internet Protocol). Measuring data can be read simultaneous by the energy consumer and by the utility (Power Distribution Company).



MKi options

MKi-sm – simultaneous data transmission via LAN (ethernet), internet and modem

MKi-m – modem data transmission

When MKi-sm type is to be applied in the installation it is necessary to assign IP address for the module.

This one should be done by customer's local computer network operating service.

Functionality

- reading of complete measuring data, which are stored in meter's memory (number of meters to be connected to the module depends of input interface i.e. when CLO, up to 32 - when RS485);
- data accessibility as:
 - source data files from meters, which are send as an e:mail;
 - www server (monitoring of data measured by the meter)
 - files to be read utilizing FTP protocol;
 - "socket service" using TCP/IP protocol;
 - modem transmission.
- monitoring of instantaneous values of parameters measured by the meter using "Internet Explorer";
- easy measuring data reading performed by PC terminal in the net, using specially designed reading software SOLEN.

Advantages of MKi:

- functionality – the unit allows to read source data files from the meters, including complete data for billing, load profile and monitoring of instantaneous values of power, voltages and current for all phases
- the data can be read directly from the MKi www.serwer in the "Internet Explore" or specially designed reading software system SOLEN
- flexibility of firmware, which has been achieved thanks to sophisticated software tools
- possibility of remote software upgrade, which can be served via internet
- measuring data might be transferred to PC terminal via local area network (ethernet) or modem

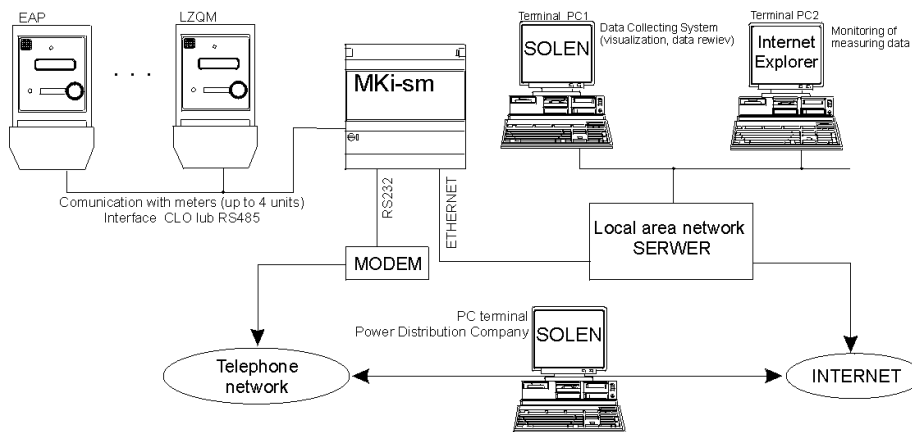
- MKi can be utilized in wide range data collecting systems, which are adapted by Power Distribution Companies
This device fulfils requirements of European Directive 89/336/EWG and is given CE certificate.

Basic technical data

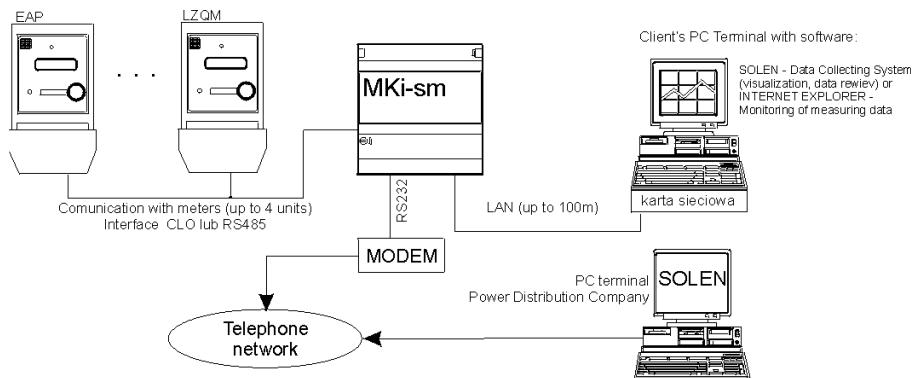
Supply	100 ÷ 230 V AC	
Input interface	CLO or RS485	
Output interfaces	MKi-sm	MKi-m
	LAN (RJ45), modem RS232	modem RS232
Baud rate for input interface	4800 bit/s	
Baud rate for output interface	600 ... 19 200 bit/s	
Numbers of meters for data reading	CLO – up to 4 meters RS485 – up to 32 meters	

Application block diagrams

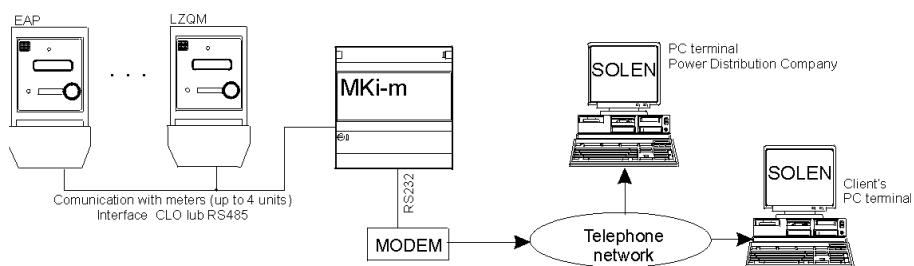
Variant I



Variant II



Variant III



Zakład Elektronicznych Urządzeń Pomiarowych POZYTON Sp. z o.o.

Poland 42-200 Częstochowa, ul. Staszica 8
 tel.: (+48) 034 366 44 95, 034 361 38 32
 fax: (+48) 034 361 38 35, 034 324 13 50

e-mail: pozyton@pozyton.com.pl
<http://www.pozyton.com.pl>